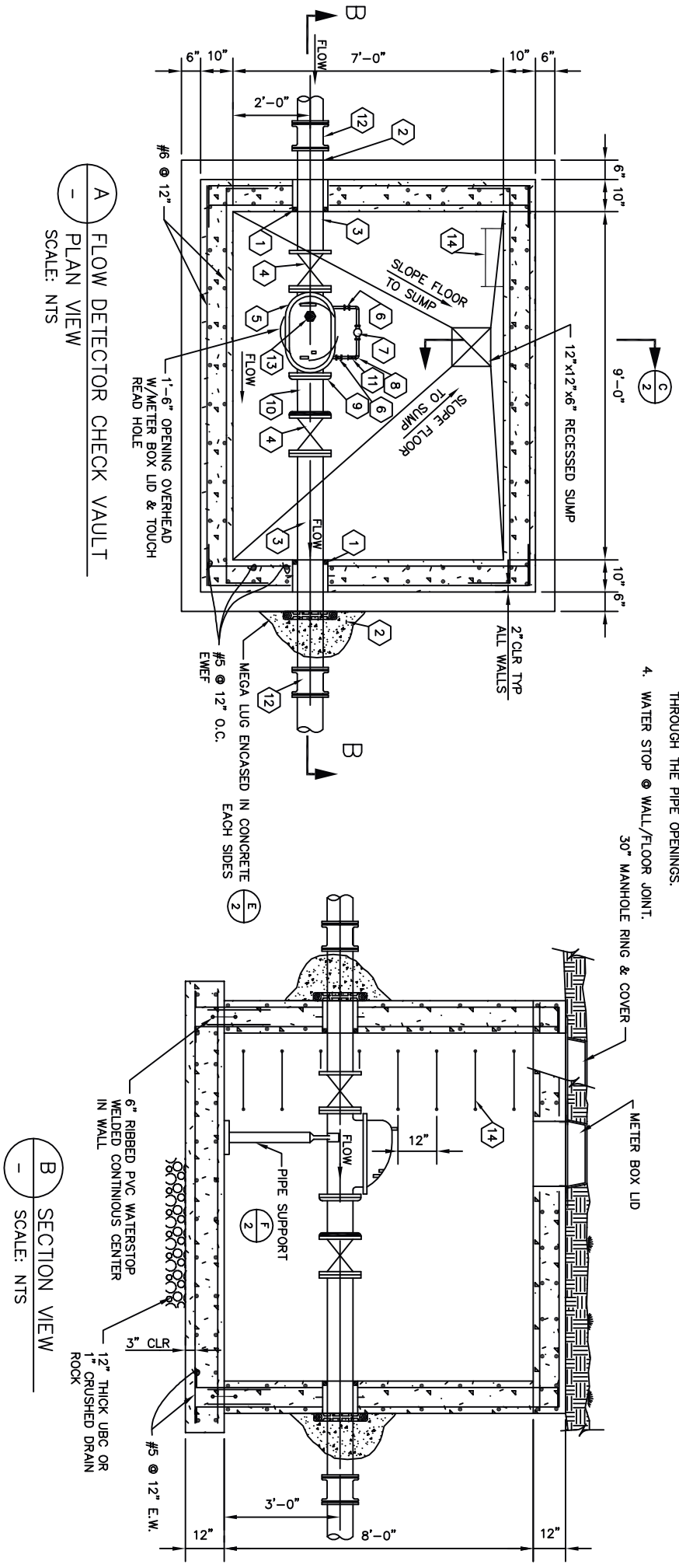


NOTES:
 VAULT FITTINGS MAY BE 6" OR 8"
 DESIGN CRITERIA
 -LOADING: H-20
 -WATER LEVEL @ SURFACE

NOTE:
 CAST-IN-PLACE BOX SHOWN. PRECAST BOX
 ALTERNATE SUBJECT TO FOLLOWING:
 1. H-20 LOADING
 2. SUBMERGENCE DEPTH OF 8 FEET.
 3. NO HORIZONTAL JOINTS
 THROUGH THE PIPE OPENINGS.
 4. WATER STOP @ WALL/FLOOR JOINT.
 30" MANHOLE RING & COVER

2/14/2012



A FLOW DETECTOR CHECK VAULT
 PLAN VIEW
 SCALE: NTS

B SECTION VIEW
 SCALE: NTS

MARK	DESCRIPTION
1	HDP PIPE SLEEVE 1 SIZE LARGER THAN PIPE"
2	THRUST RESTRAINT EACH SIDE (SEE E/2)
3	FLAPE PIPE
4	GATE VALVE FLANGED
5	DETECTOR CHECK VALVE FLANGED. BRONZE FITTED W/ BY PASS METER
6	3/4" BALL VALVE SREWED
7	3/4" SERVICE METER W/TOUCH READ (BY WATERPRO)
8	3/4" BRASS PIPING SREWED
9	GROOVED FLANGED ADAPTOR

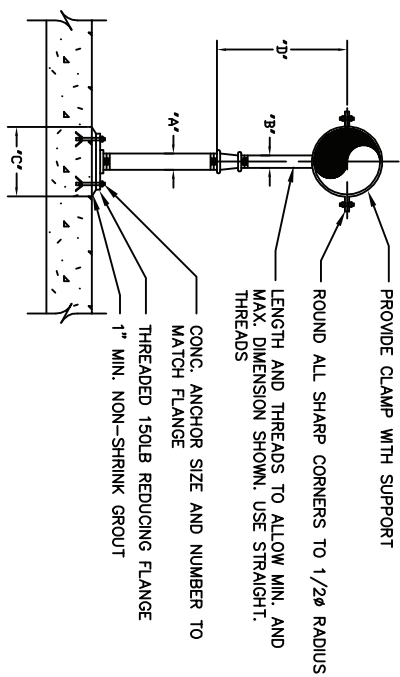
MARK	DESCRIPTION
10	GROOVED END PIPE X FLANGE SPOOL
11	DUAL CHECK VALVE
12	MJ SOLID SLEEVE W/MEGA LUG RESTRAINTS
13	PIPE SUPPORT
14	POLYPROPYLENE MH STEPS @ 12" O.C.



WATER PRO INC.

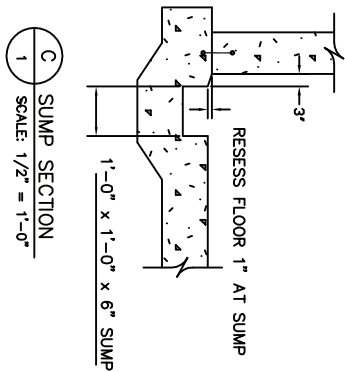
6" & 8" FIRE FLOW DETECTOR

STANDARD DETAIL	9	DRAWING NO.	1 OF 2
-----------------	---	-------------	--------

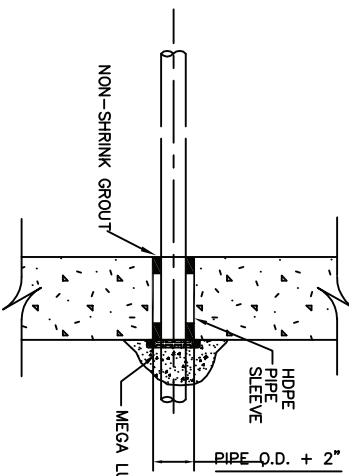


- NOTES:
1. HOT DIP GALVANIZE AFTER FABRICATION.
 2. PIPE SHALL BE SCHEDULE 40.

F ADJUSTABLE PIPE SUPPORT
1 N.T.S.

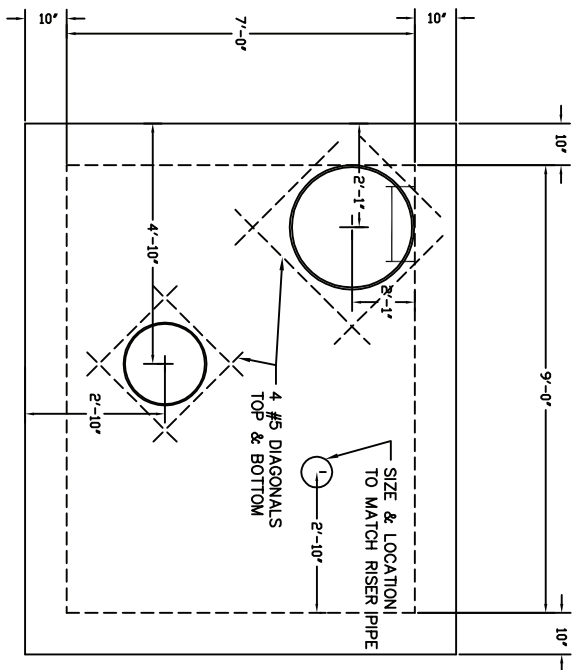


C SUMP SECTION
1 SCALE: 1/2" = 1'-0"



- NOTES:
1. HDPE SLEEVE ONE SIZE LARGER THAN PIPE
 2. EBAA MEGA LUG OR EQUAL (DIRECTION VITAL)

E THRUST RESTRAINT
1 TYP INLET & OUTLET PIPES
SCALE: 3/4" = 1'-0"

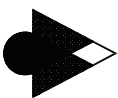


D DECK SLAB PLAN VIEW
1 SCALE: 1/4" = 1'-0"

ADJUSTABLE PIPE SADDLE SUPPORT SCHEDULE
DIMENSIONS IN INCHES

PIPE SIZE	A	B	C	D	
				MINIMUM	MAXIMUM
*2 1/2	2 1/2	1 1/2	9	8	13
3	2 1/2	1 1/2	9	8 1/2	13 1/2
3 1/2	2 1/2	1 1/2	9	8 1/2	13 1/2
4	3	2 1/2	9	9 1/2	14
6	3	2 1/2	9	10 1/2	15 1/2
8	3	2 1/2	9	11 1/2	16 1/2
10	3	2 1/2	9	13 1/2	18 1/2
12	3	2 1/2	9	15	19 1/2

* USE 2 1/2" SUPPORTS FOR PIPE LESS THAN 2 1/2" Ø



WATER PRO INC.

6" & 8" FIRE FLOW DETECTOR
CHECK VAULT

STANDARD DETAIL

9

DRAWING NO.
2 OF 2